

Locative Prefixes

What are locative prefixes?

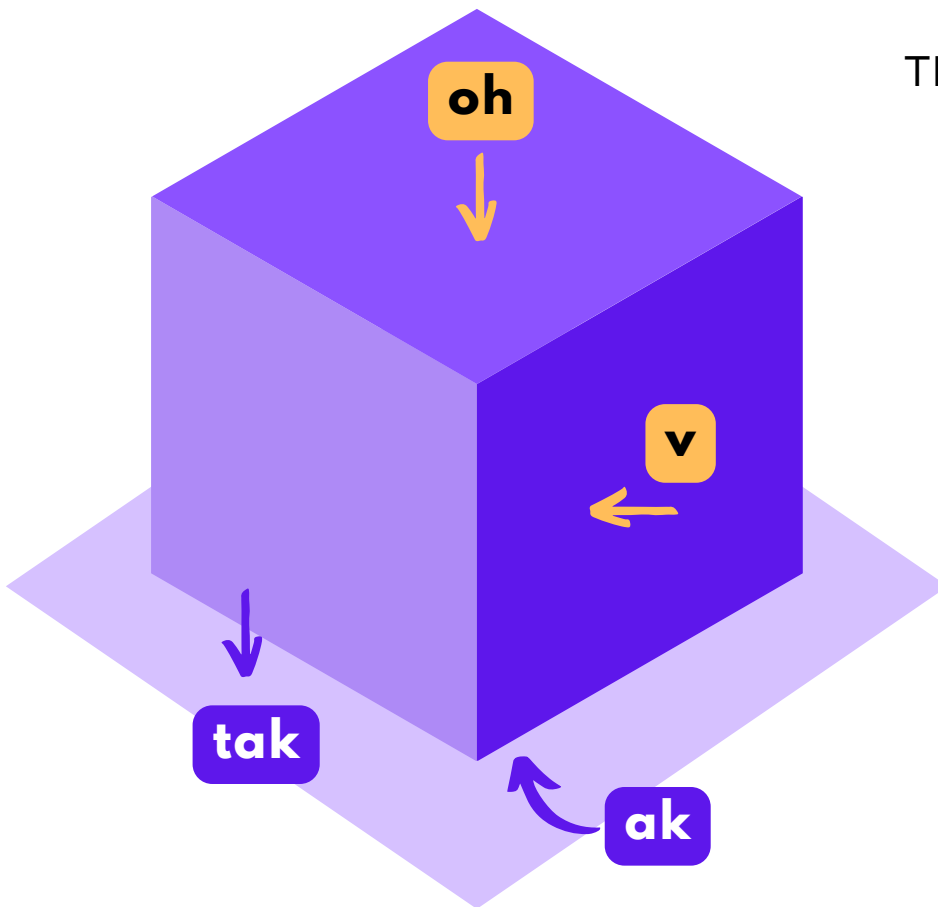
They are added to the beginning of verbs to give more information on location, direction, and/or posture.

Where in English, you would say a full phrase:

"I am sitting **on top of** the box

In Mvskoke we add the prefix for "on top" to the verb

"Tohahwvn **oh**liki tos"



The four locative prefixes are:
oh, v, ak, & tak.

OH

[on] top

V

side

AK

**in water, low place,
under**

TAK

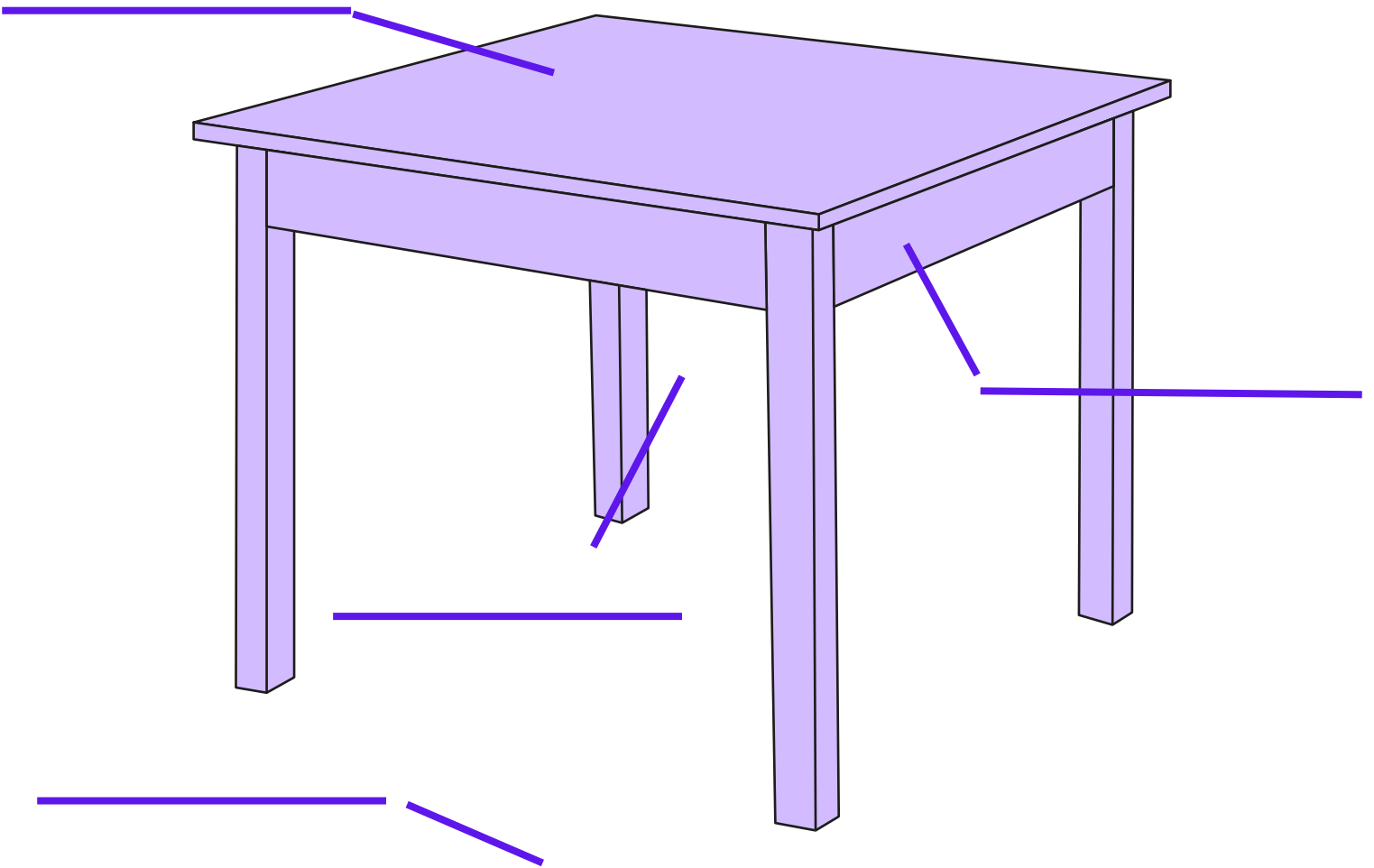
**ground, floor, enclosed
space**

- Liketv = to sit
- Ohliketv = to sit on top of (a chair, table, roof)
- Vliketv = to sit on (a wall); to sit at (a table)
- Akliketv = to sit in water or a low place
- Takliketv = to sit on the ground, floor, or enclosed space

Locative Prefix Practice

Place the four locative prefixes in the correct place in respect to the table:

tak, oh, v, ak



What does each one mean?:

Tak: _____

Oh: _____

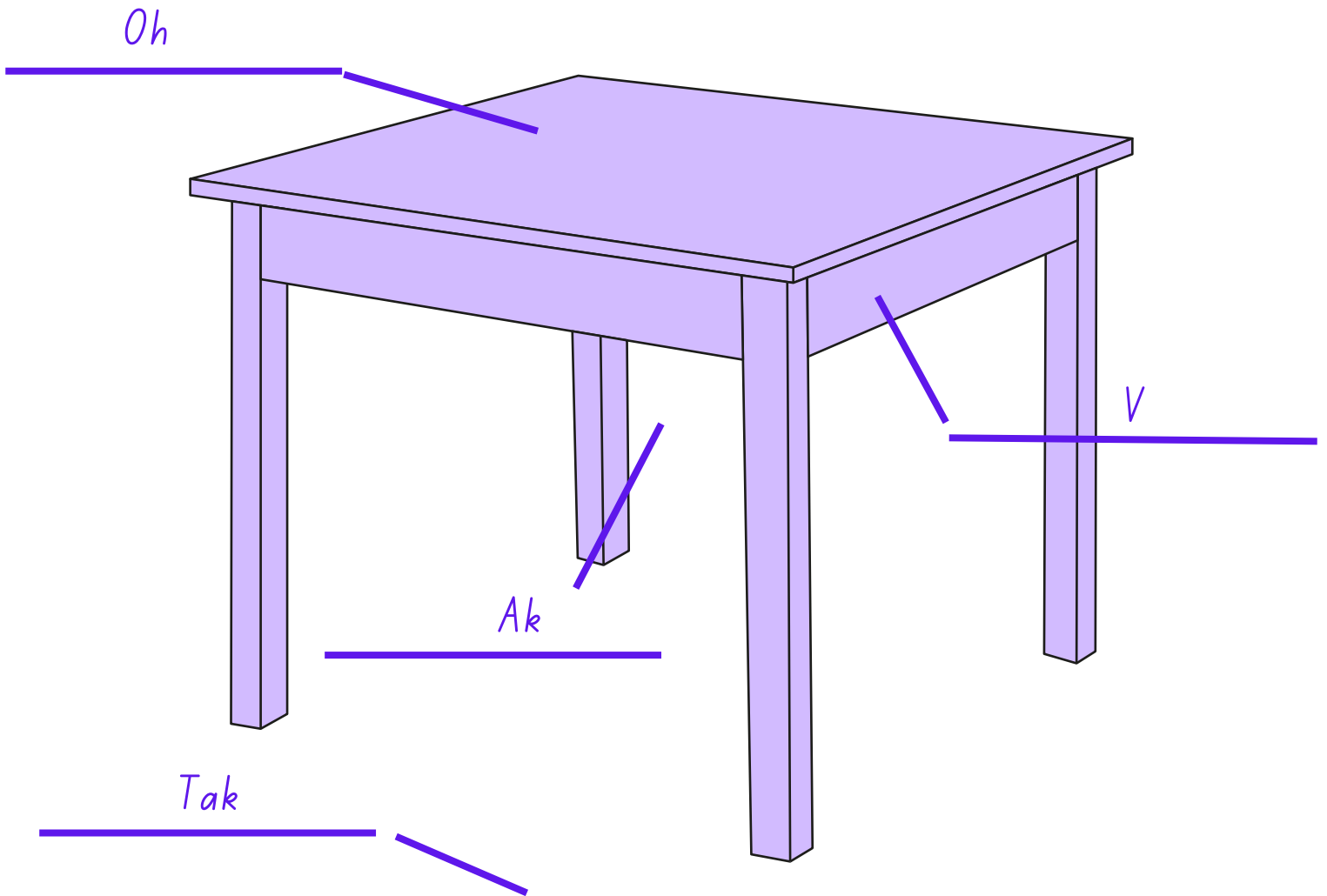
V: _____

Ak: _____

Locative Prefix Practice

Place the four locative prefixes in the correct place in respect to the table:

tak, oh, v, ak



What does each one mean?:

Tak: ground, floor, enclosed space

Oh: on top

V: side

Ak: in water, low place, under